

FLY RAIL

SHOWSTAK
AUTOMATION & RIGGING

BREATHE NEW LIFE
INTO YOUR SHOW

INFORMATION SHEETS

FLY RAIL



THE FLY RAIL IS
DEVELOPED BY
SHOWSTAK
IT'S FAST, MODULAR
AND ACCURATE

The Fly Rail was developed to fit the needs of the show industry. Whatever it will be the Fly Rail adds an extra Horizontal movement for Show Automation. With sleek and modular design the railing system with fast motors for optimal accuracy, speed and curve.

With the SHOWSTAK team concentrating on modular design and flexibility you have a versatile product available for fixed installations on touring.

The Modular rail systems are able to attach, rotators, winches, chain hoists, led screens or combinations of devices for added effect.



Master Trolley

- 620 kg Dynamic Capacity per Master Trolley.
- Combinations of Master and Slave to take the required load.
- 1.2 m/s at full speed with reed frequency.
- Modular design for quick install and extra attachments like Rotator and winch.
- Quick connect to Rotator using simple locking clams. Spin and move!

Slave Trolley

- Easy connection to the master trolley for the increased load.
- Follows 2-metre diameter track bends as with Master Trolley.
- Easy configuration to Master Trolley for optional extras and changes.



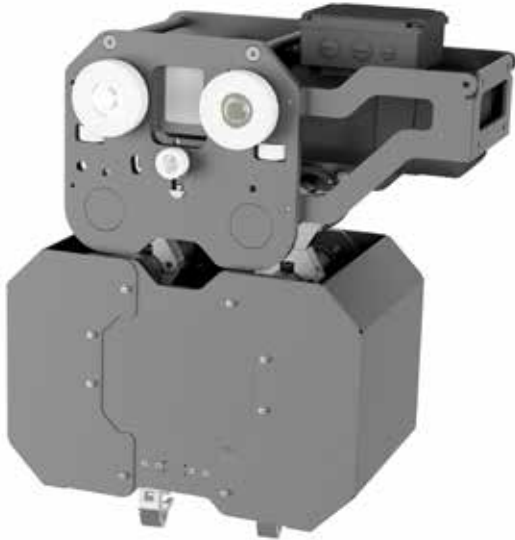
Rail and Brackets

- Quick install brackets for multiple truss sizes.
- C Channel rack and pinion drive for increased power with accuracy.
- No slipping
- Increase bracket count for higher capacity of rail.

Stage Automation

- With High Safety Standards it can be used for moving screens, winches, trusses, stages, rotators, basically, anything is possible.
- Built to Highest European Safety level which is possible to take Human Loads with the correct configuration.





Attachment: Rotator

- Easy attachment option Rotator has been designed to easily mount on Master Trolley.
- The Instantaneous spin effect with power and control slip ring which means no cables.
- 650 Kg with other variations possible at request.
- Easy truss mount with heavy-duty rack and pinion drive.
- Millimetre precision.



Safety

EC Declaration of Conformity

SHOWSTAK declares that the product Fly Rail complies with requirements of the EU Directives: 2006/95/CE - Low Voltage Directive, 2006/42/CE - Machinery Directive, and their amendments. This is to attest that the machine described above, in its design concept and type of construction and in the design version marketed by us, complies with the basic safety and health at work requirements of EU Machine Directive 2006/42/WE and EU Low Voltage Directive 2006/95/WE, and with the harmonised and national standards and technical specifications listed below. In the event of alterations made to the machine not approved by us and if the machine is not used properly as specified in the operating instructions and if no regular inspections are carried out, this declaration is void. The following harmonised and national standards, and technical specifications have also been applied: DIN 56950-1, ISO 12100.

Showstak Automation sp. z o.o.

ul. Gospodarcza 26

20-213 LUBLIN

office: +48 600 002 314

e-mail: info@showstak.eu

SHOWSTAK
AUTOMATION & RIGGING

**We design, construct,
automate and integrate.
We are SHOWSTAK.**

<http://www.showstak.eu>



<https://www.instagram.com/showstak.automation/>



<https://www.linkedin.com/company/showstak-automation/>



<https://www.facebook.com/Showstak/>